

8 7 6 5 4 3 2 1

REVISIONS			
REV	DESCRIPTION	DATE	APPROVED
IR	INITIAL RELEASE	20230723	G ZADAR

D

D

C

C

B

B

A

A

1	21	SKU 558738	1/2" Nylon Tee	Everbilt	
1	20	AT-SWC-40	Stainless Steel 10 Gal Water Can	Allentian	
1	19	318145	Plastic Cap	Genova	
1	18	HFC16812	CPC Quick Disconnect Panel Mount Female 1/2" ID	Colder	
3	17	SKU # 193682	1/2 in. x 2.5 ft. 600-PSI White Schedule 40 PVC Pipe	JM Eagle	
2	16	HFC122812	CPC Quick-Disconnect Male 1/2" ID	Colder	
20	15	100589	Clear Braided Nylon Poly Tubing 1/2" Dia	LDR Industries	
12	14	SKU # 100589	Worm Clamps Model. 6712595	Everbilt	
1	13	FO741	TMC Self-Priming Double Acting Water Pump	Five Oceans	
2	12	HFC17812	CPC Quick-Disconnect Straight Female 1/2" ID	Colder	
1	11	09334	Barbed Faucet Water Line Fitting - Blue	CAN Srl	
1	10	09556	Barbed Faucet Water Line Fitting - Red	CAN Srl	
1	09	FL1766	Sink and Dual Burner	CAN Srl	
1	08	RB1488	Fold-Down Faucet - Hot/Cold Mixer Tap	CAN Srl	
1	07	LP1800	Low Profile Waste Water Sink Drain	CAN Srl	
1	06	SKU # 302191	Clear Braided Nylon Poly Tubing 3/4" Dia	Evenbilt	
2	05	SKU # 100592	Worm Clamps Model. 6720595	Everbilt	
1	04	1429-101	3/4 in. x 1/2 in. Nylon Barb Reducer Coupling	Spears	
1	03	APXFAE1212	1/2 in. Brass PFX-B Barb Female Swivel Adapter 90 deg	Apollo	
1	02	2240-1-8-85	Bulkhead Fitting 1/2"	Aeroquip	
1	01	05935	5 Gallon Plastic Jerry Military Color Sand	Scepter	
CONFIG / QTY	ITEM NO.	PART NUMBER	DESCRIPTION	SOURCE/NOTES	VENDOR

GENERAL NOTE:

- Sink and Dual Burner installed IAW CAN SRI Installation, Use and Maintenance Manual
- Foot Pump installed IAW Five Oceans document per website
- Drill and notch and required

- ID VENDOR
 AZ Amazon
 HD Home Depot
 PP Panther RV Products



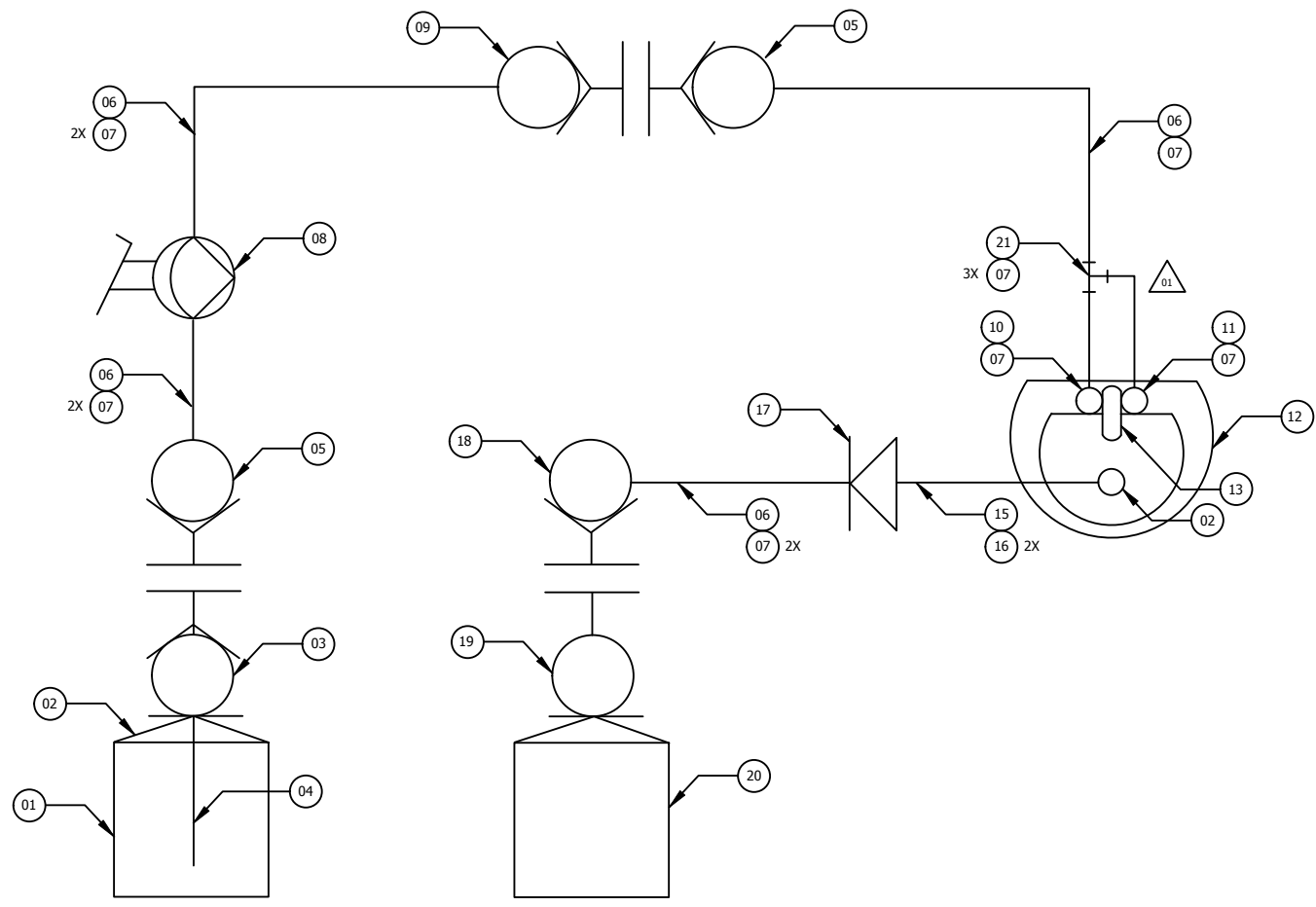
01 Hot water input not used, tee hot and cold together

PARTS LIST			
<small>TOLERANCES: FRACTIONAL: 1/16" DECIMAL: .015" ANGULAR: .5° UNLESS OTHERWISE NOTED, ALL PRIMARY DIMENSIONS ARE IN INCHES SECONDARY DIMENSIONS ARE SHOWN IN PARENTHESES (MILLIMETERS).</small>		TIKI-SPRINTER <small>4037 PHELAN RD STE. A236, PHELAN, CA 92271 TEL: (760) 760-6000</small>	
<small>INDUCTION PER ANSI Y14.3 TOLERANCING PER ANSI Y14.94</small>	<small>REVISION</small> M.ZADAR 07-21-2023	TIKI-SPRINTER SPRINTER 144 4WD KITCHEN PLUMBING	
<small>THE INFORMATION CONTAINED IN THIS DRAWING IS THE SOLE PROPERTY OF TIKI-SPRINTER LLC AND ANY REPRODUCTION IN PART OR AS A WHOLE WITHOUT THE WRITTEN PERMISSION OF TIKI-SPRINTER LLC IS STRICTLY PROHIBITED.</small>	<small>DRAWN</small> M.ZADAR 07-21-2023	<small>CHECKED</small> M.ZADAR 07-21-2023	
<small>MATERIAL</small> SEE PART LIST	<small>APPROVED</small> G.ZADAR	<small>SIZE</small> B	<small>DRAWING NUMBER</small> SPRT-144-20230721
<small>FINISH</small> SEE PART LIST	<small>ISSUED</small> M.ZADAR	<small>TASK</small> IR	<small>SCALE</small> NONE
		<small>SHEET</small> 1 OF 2	<small>REV</small> IR

8 7 6 5 4 3 2 1

8 7 6 5 4 3 2 1

REVISIONS			
REV	DESCRIPTION	DATE	APPROVED
IR	INITIAL RELEASE	20230723	G ZADAR



D
C
B
A

D
C
B
A

8 7 6 5 4 3 2 1

PARTS LIST			
TOLERANCES: FRACTIONS: 1/16 ANGULAR: 0.5 (2) PLACE DECIMAL: 0.03 (3) PLACE DECIMAL: 0.009		UNLESS OTHERWISE NOTED, ALL PRIMARY DIMENSIONS ARE IN INCHES SECONDARY DIMENSIONS ARE SHOWN IN PARENTHESES (MILLIMETERS).	
INSPECTOR: M. ZADAR TOLERANCING PER: ANSI Y14.5M	DESIGN: M. ZADAR	DATE: 07-23-2023	TIKI-SPRINTER <small>4037 PHELAN RD STE. A256, PHELAN, CA 92271 TEL: (951) 780-6000</small>
THE INFORMATION CONTAINED IN THIS DRAWING IS THE SOLE PROPERTY OF TIKI-SPRINTER LLC AND ANY REPRODUCTION IN PART OR AS A WHOLE WITHOUT THE WRITTEN PERMISSION OF TIKI-SPRINTER LLC IS STRICTLY PROHIBITED.	DRAWN: M. ZADAR	DATE: 07-23-2023	SPRINTER 144" 4WD RV KITCHEN PLUMBING
MATERIAL: SEE PART LIST	APPROVED: M. ZADAR	CHECKED: M. ZADAR	DATE: 07-23-2023
FINISH: SEE PART LIST	ISSUED: M. ZADAR	SIZE: B	DRAWING NUMBER: MBSPR-0144-2023-03
		SCALE: NONE	SHEET: 2 OF 2

A